

PHILIPS

hue personal
wireless
lighting

17462/**/P7



HUE serial number



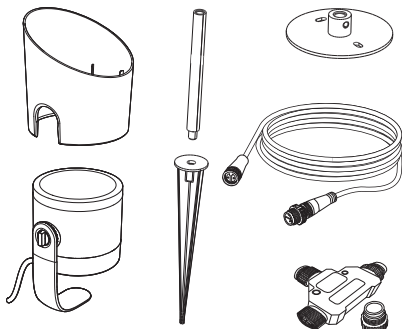
Gebruiksaanwijzing
Notice d'emploi
Benutzerhandbuch
User manual
Manual de usuario

Incl.

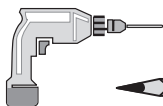
A



B



Excl.



IP 65

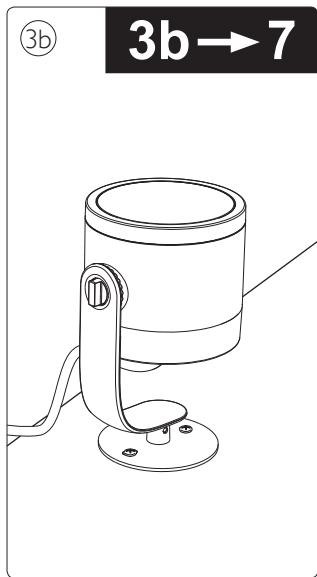
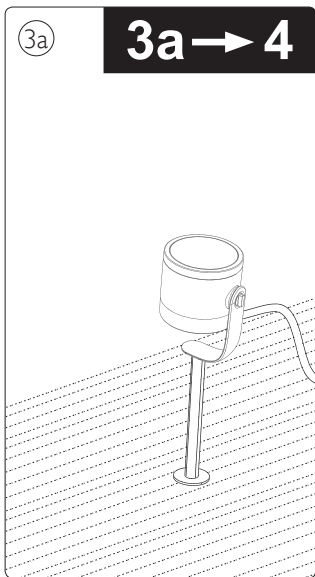
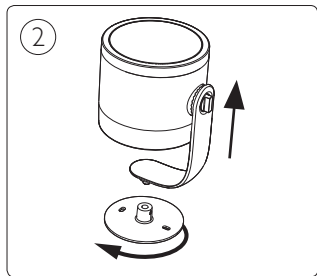
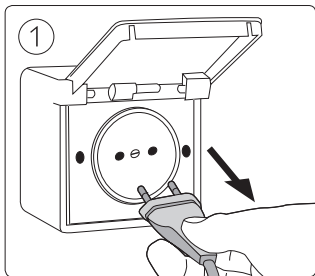


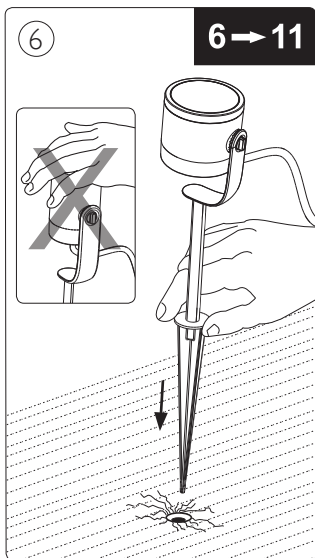
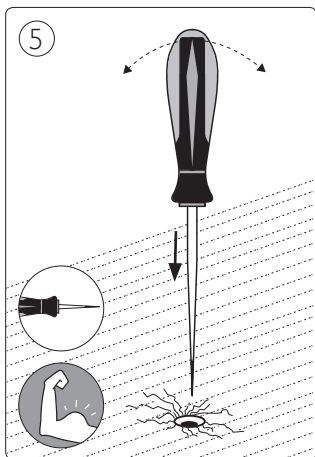
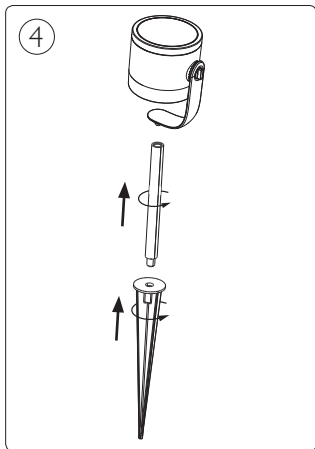
ZigBee
certified product

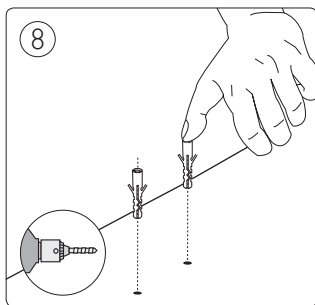
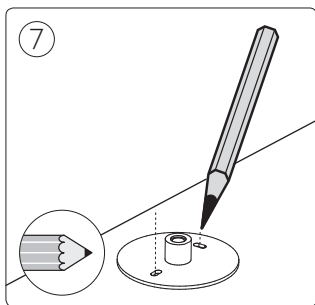


www.meethue.com/getstarted

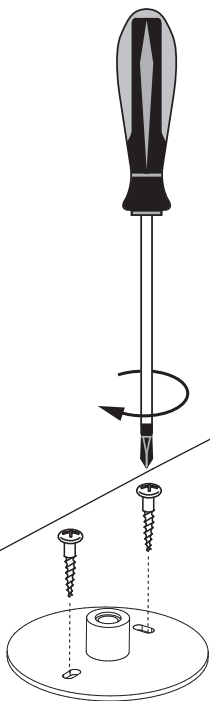




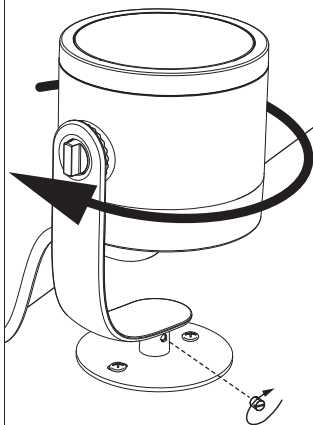


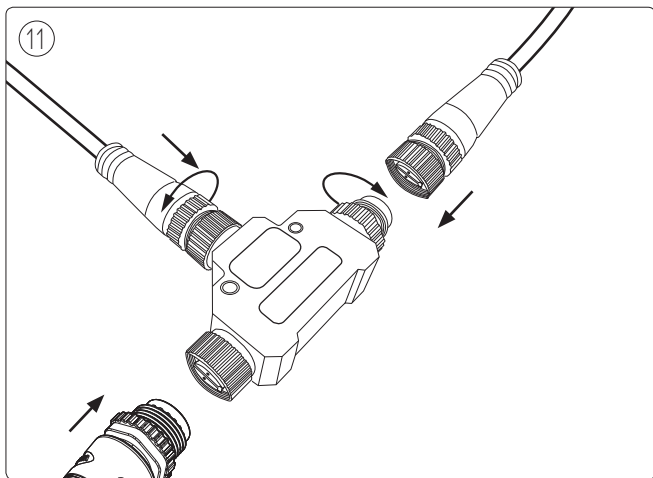
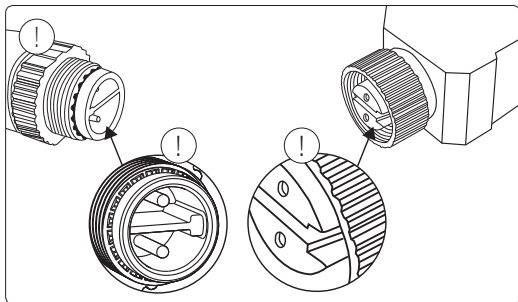


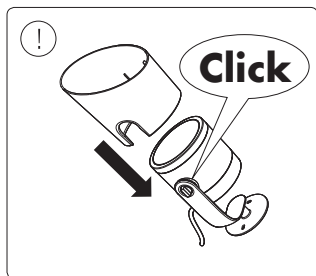
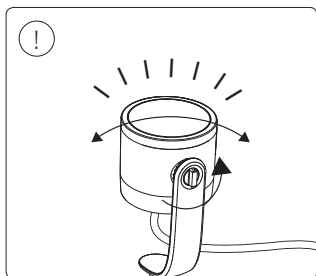
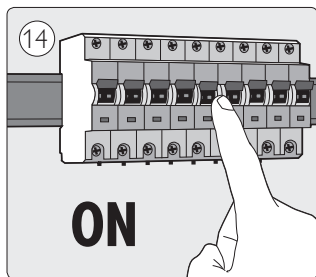
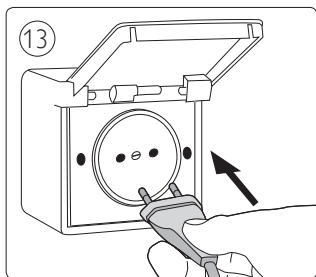
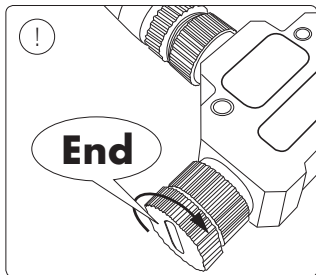
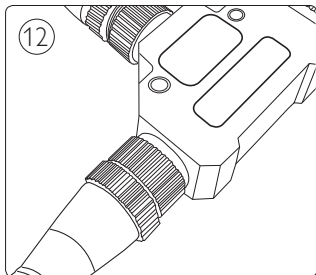
9

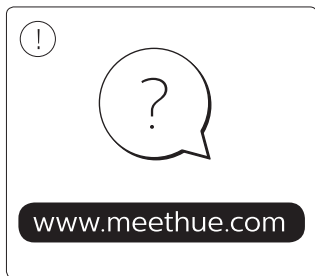
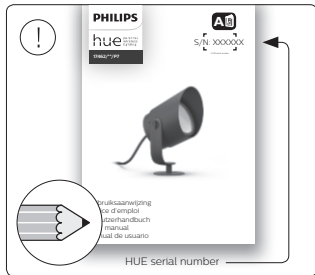
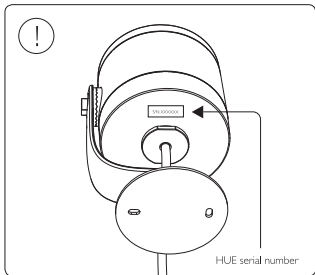


10





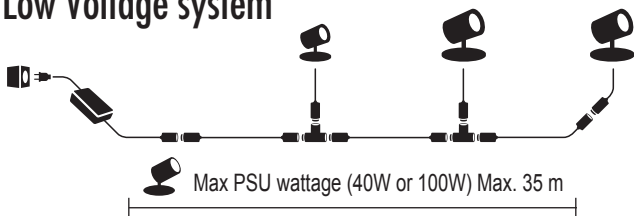






- EN** Use only with Philips Hue 24V \equiv SELV IP67 LED power supply!
- DE** Verwendung nur mit Philips Hue 24V \equiv SELV IP67 LED-Stromversorgung!
- FR** Utiliser uniquement avec l'alimentation LED Philips Hue 24V \equiv SELV IP67!
- ES** Se utiliza solo con la fuente de alimentación LED Philips Hue SELV 24V \equiv IP67!
- PT** Utilize apenas com fonte de alimentação LED SELV Philips Hue de 24V \equiv IP67!
- IT** Da utilizzare solo con un alimentatore LED Philips Hue 24V \equiv IP67!

Low Voltage system





Signify
I.B.R.S. / C.C.R.I. Numéro 10461
5600 VB Eindhoven,
the Netherlands
☎ 00800-74454775

Signify Australia Limited
65 Epping Road, North Ryde,
NSW, 2113 Australia
Toll Free number: 1300 304 404

Signify New Zealand Limited
123 Carlton Gore Road
Newmarket, Auckland 1023
New Zealand
Tel: 0800 454 448

www.meethue.com

© 2019 Signify Holding
All rights reserved.

4404 029 11971
Last update: 12/09/19