

CoreLine WT120C Waterproof

Installation instructions

Instructions de montage

Instrucciones de montaje

Kokoonpano- ja kiinnitysohjeet

Szerelési utasítások

Montageanleitung

Instrues de montagem

Montaj yönergesi

Návod k montáži

Montage instruktio

Monteringsinstruktioner

Οδηγίες εγκατάστασης

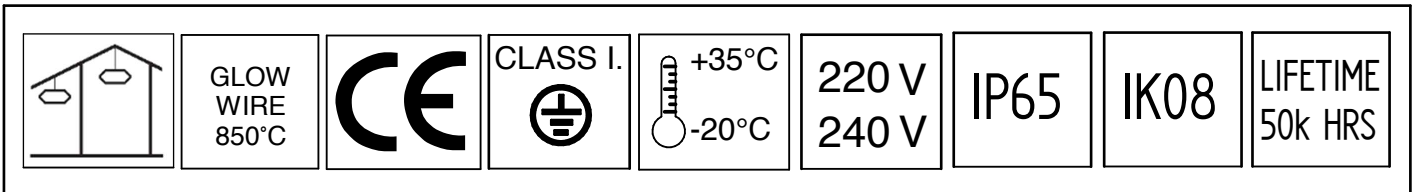
инструкция по монтажу

Istruzioni di montaggio

Monteringsvejledning

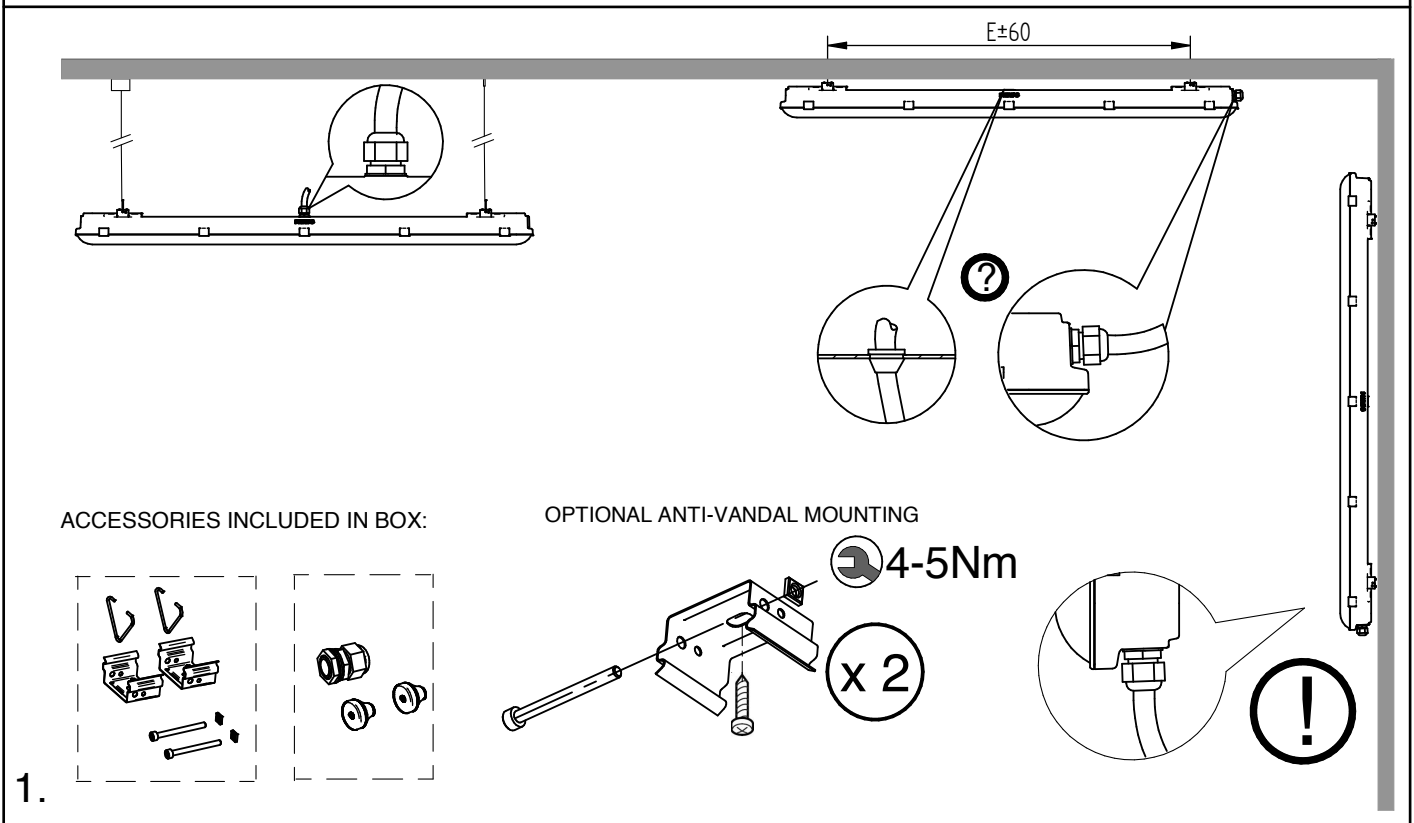
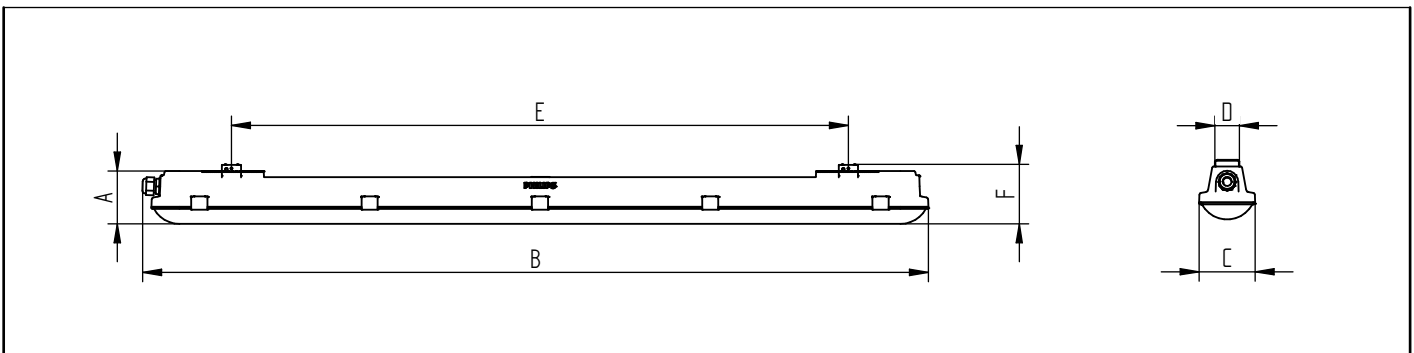
Instrukcja montazu

Návod k montáži



Intended for indoor use, ta=35°C MAX or Outdoor-temporary use

Type	Luminous Flux	CCT	Dimension (mm)						P _{typ} (W)	kg	Nr. of clips
			A	B	C	D	E	F			
WT120C LED18S/840 PSU L600	1800	4000K	82	661	87	38	388	96	17	0.93	6
WT120C LED22S/840 PSU L1200	2200			1223			960		20		
WT120C LED40S/840 PSU L1200	4000			1504			1213		38	10	
WT120C LED34S/840 PSU L1500	3400								29	1.82	12
WT120C LED60S/840 PSU L1500	6000								57		



4443 160 02898

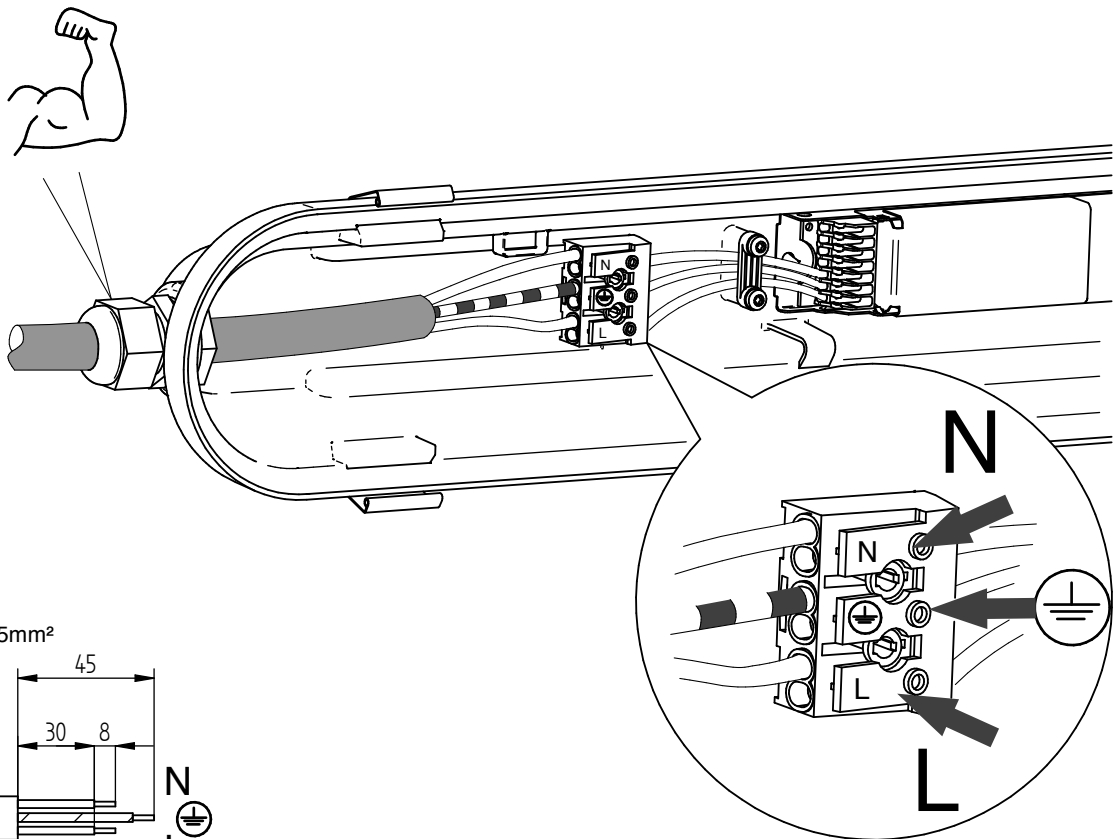
Version date 03/06/2015

Data Subject to change without notice

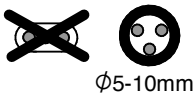
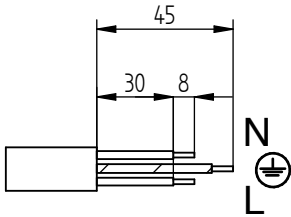
Printed in EU

www.philips.com/lighting

PHILIPS

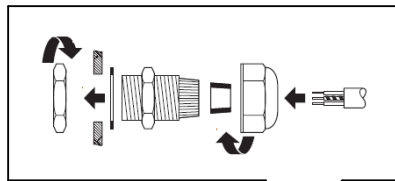
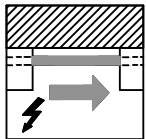


□ 0,75-2,5mm²

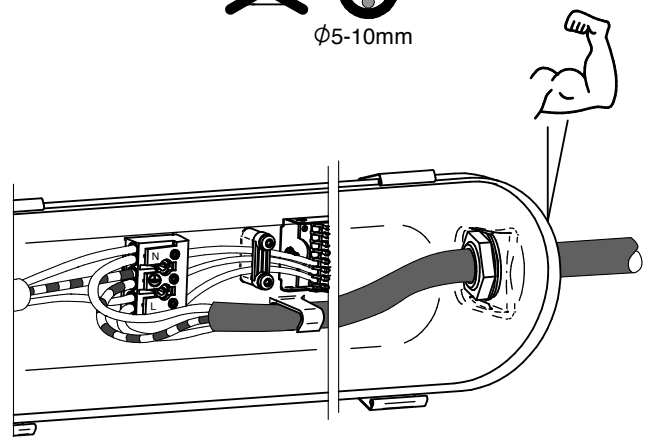
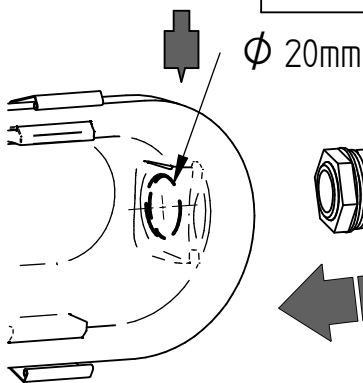
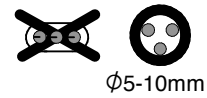
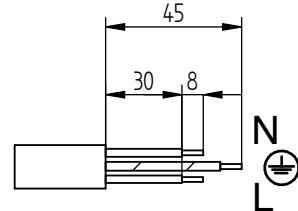


2.

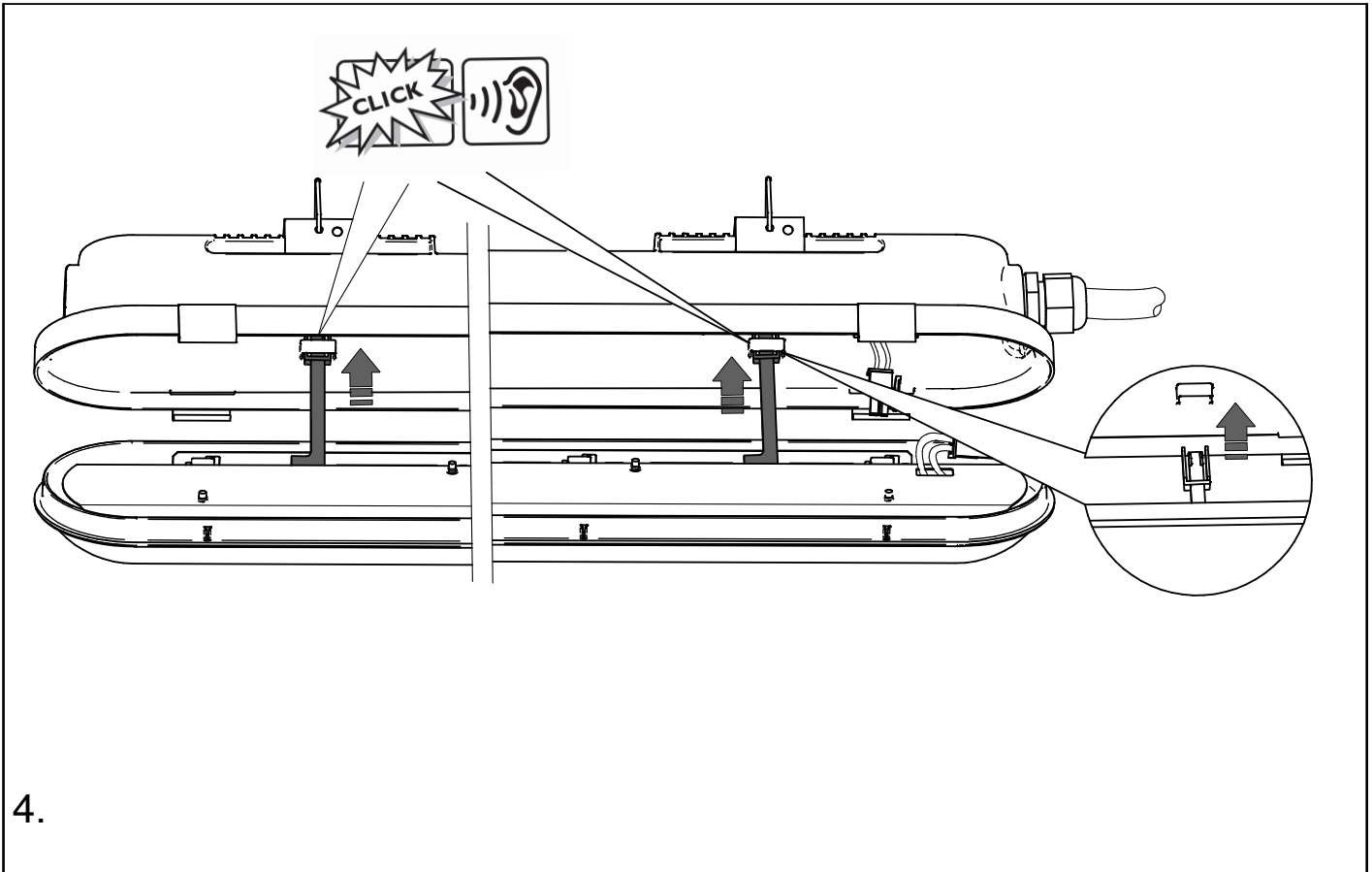
THROUGH WIRING



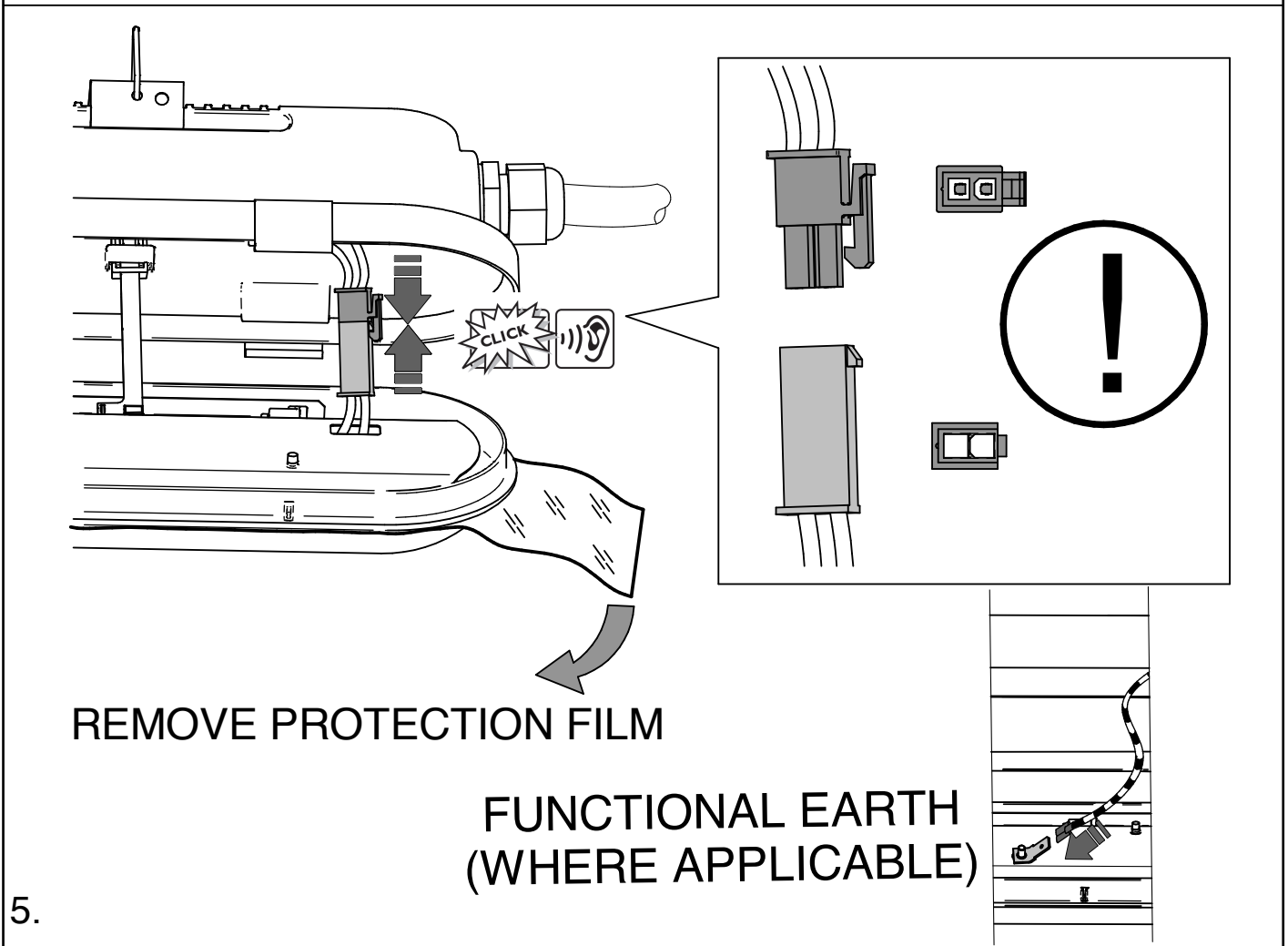
□ 0,75-2,5mm²



3.



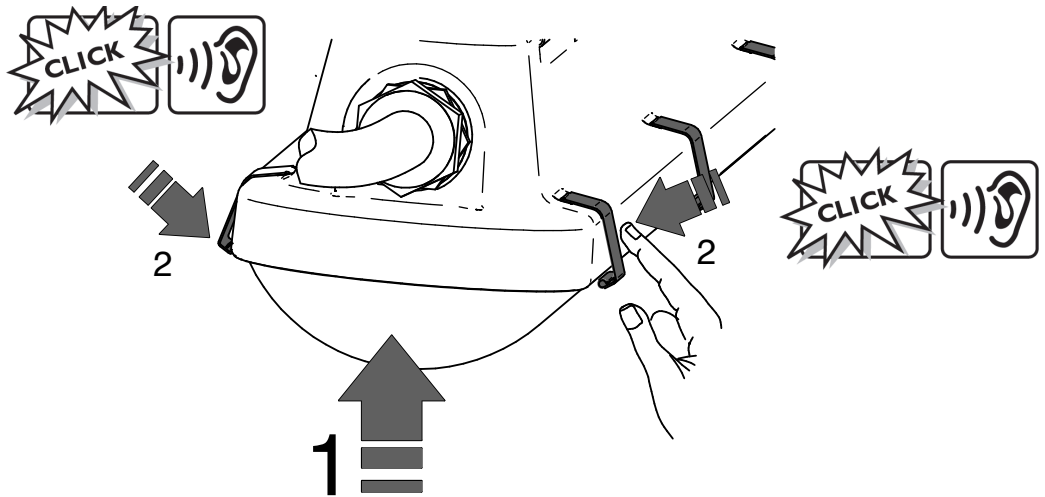
4.



REMOVE PROTECTION FILM

FUNCTIONAL EARTH
(WHERE APPLICABLE)

5.

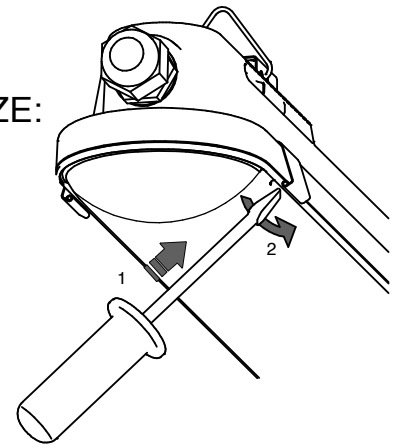
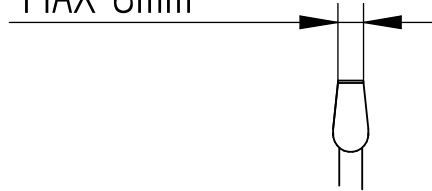


6.

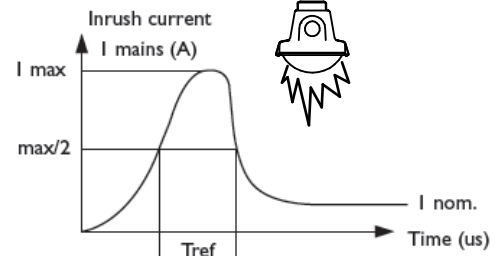
SERVICE (DRIVER REPLACEMENT)

Light source (LED) is not replaceable.

MAXIMAL SCREWDRIVER SIZE:
MAX 8mm



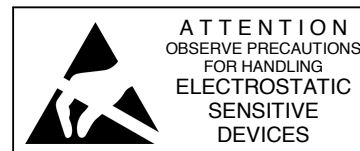
	LED18S	LED22S	LED34S	LED40S	LED60S
I _{peak} [A]	14	14	19	19	19
Twidth [μs]	250	250	280	280	280
Max. Nr of products					
Drivers / MCB 16A type B [max.]	33	33	24	24	24
Drivers / MCB 10A type B [max.]	20	20	15	15	15
Drivers / MCB 16A type C [max.]	56	56	40	40	40
Drivers / MCB 10A type C [max.]	34	34	24	24	24



Maintenance instructions

To assure the lighting quality of this unique LED lighting concept there are only a few instructions regarding the maintenance of this LED luminaire:

- * Do not touch electronic components!
Electronic components maybe under high voltage.
- * Do not stare into LED light beam.
- * The luminaire shall be installed by a qualified electrician and wired in accordance with the latest IEE electrical regulations or the national requirements.
- * Above average concentraion of sulfur effects the useful lifetime of the product.
E.g: Light color changes from white to blue. Typically in chicken & pig farms.



PHILIPS

CoreLine Waterproof WT120C Emergency Light

Installation instructions

Instructions de montage

Instrucciones de montaje

Kokoonpano- ja kiinnitysohjeet

Szerelési utasítások

Montageanleitung

Instrues de montagem

Montaj yönergesi

Návod k montáži

Montage instruktio

Monteringsinstruktioner

Οδηγίες εγκατάστασης

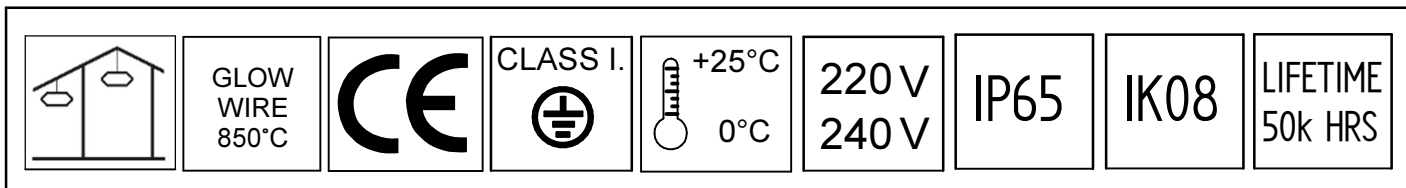
инструкция по монтажу

Instruzioni di montaggio

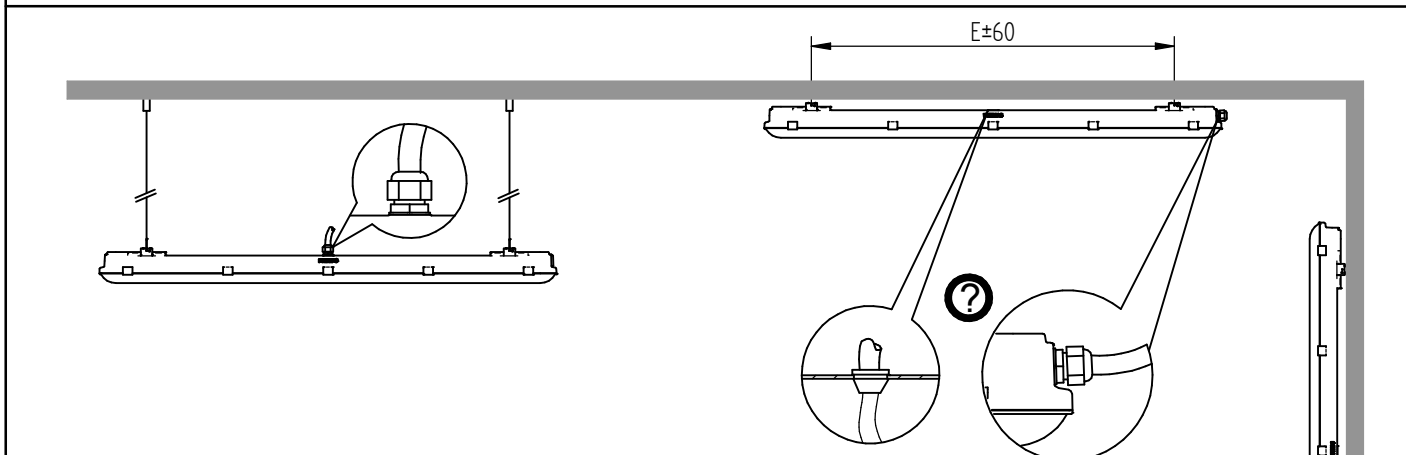
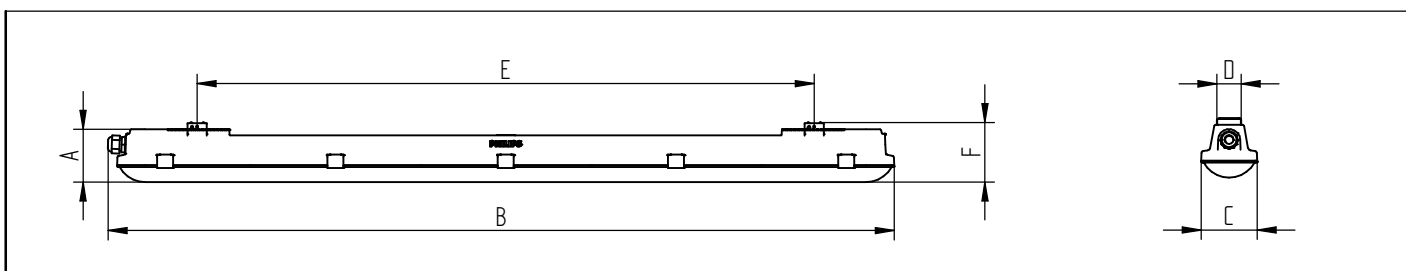
Monteringsvejledning

Instrukcja montazu

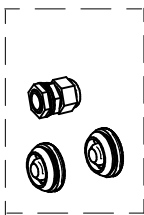
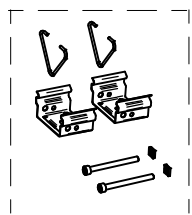
Návod k montáži



Type	Luminous Flux (lm)		CCT	Dimension (mm)						P _{typ} (W)	
	standard mode	EL-mode		A	B	C	D	E	F		
WT120C LED22S/840 PSU L1200 EL1	2200	300	4000 K	82	1223	87	38	960	96	23	2,3
WT120C LED22S/840 PSU L1200 EL3											2,5
WT120C LED40S/840 PSU L1200 EL1	4000	300	4000 K	82	1223	87	38	960	96	41	2,3
WT120C LED40S/840 PSU L1200 EL3											2,5
WT120C LED34S/840 PSU L1500 EL1	3400	300	4000 K	82	1504	87	38	1213	96	29	2,5
WT120C LED34S/840 PSU L1500 EL3											2,7
WT120C LED60S/840 PSU L1500 EL1	6000	300	4000 K	82	1504	87	38	1213	96	57	2,5
WT120C LED60S/840 PSU L1500 EL3											2,7



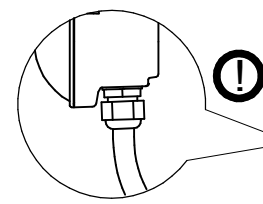
ACCESSORIES INCLUDED IN BOX:



OPTIONAL ANTI-VANDAL MOUNTING

4-5Nm

x 2



1.

4443 160 03843

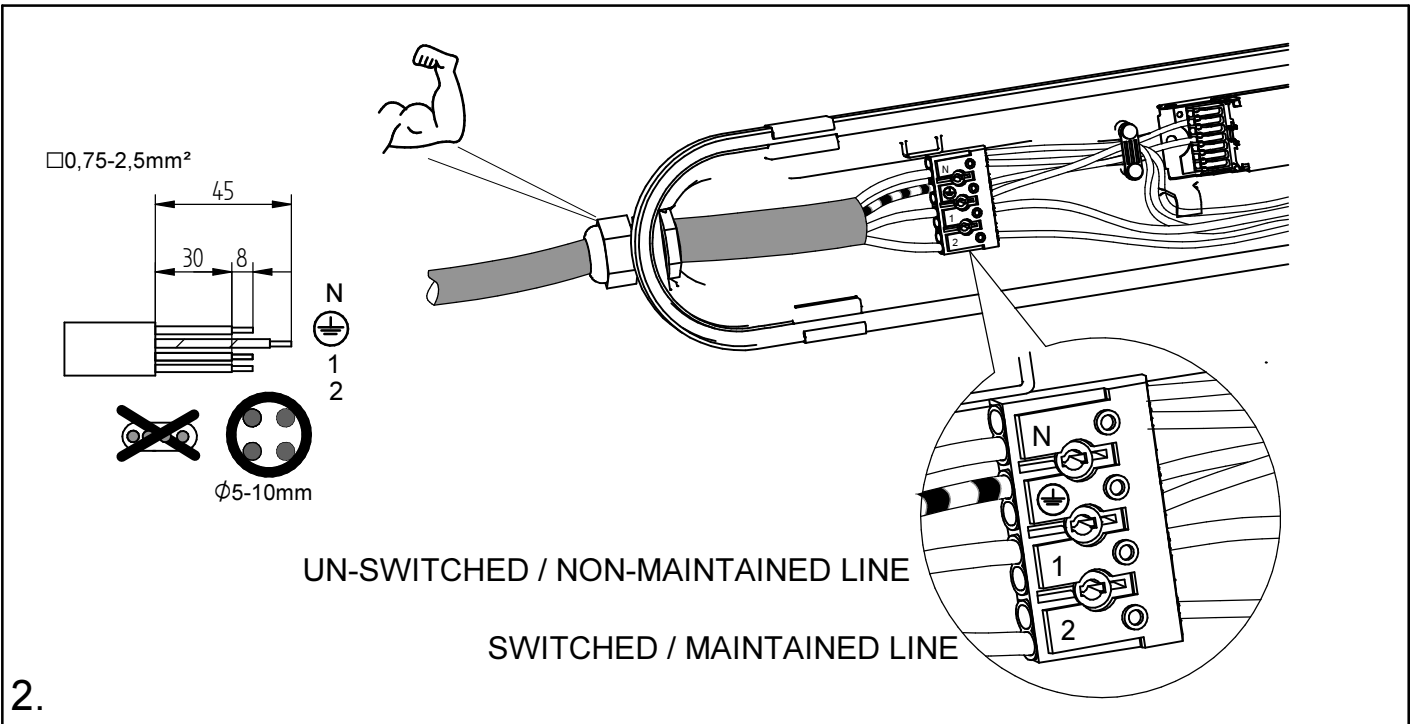
Version date : 31/01/2014

Data Subject to change without notice

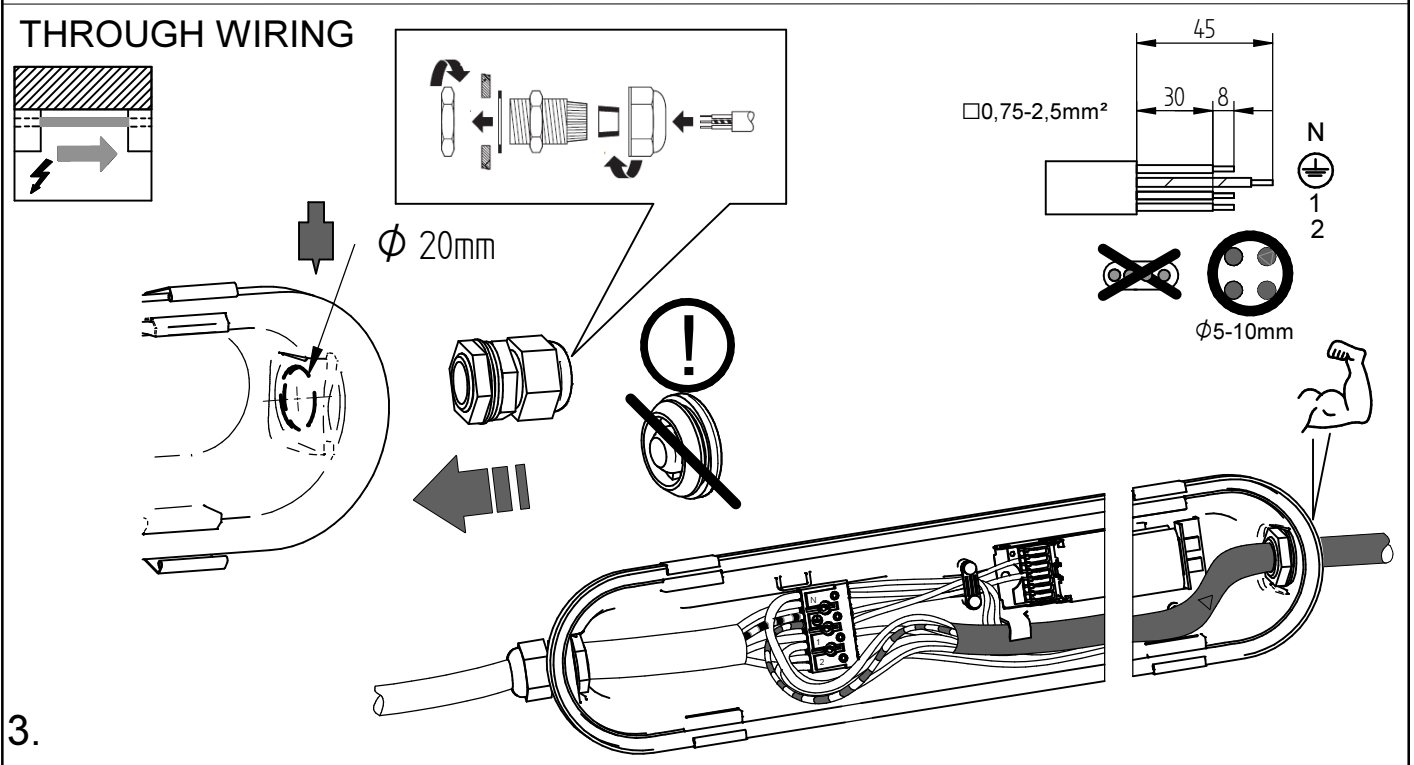
Printed in EU

www.philips.com/lighting

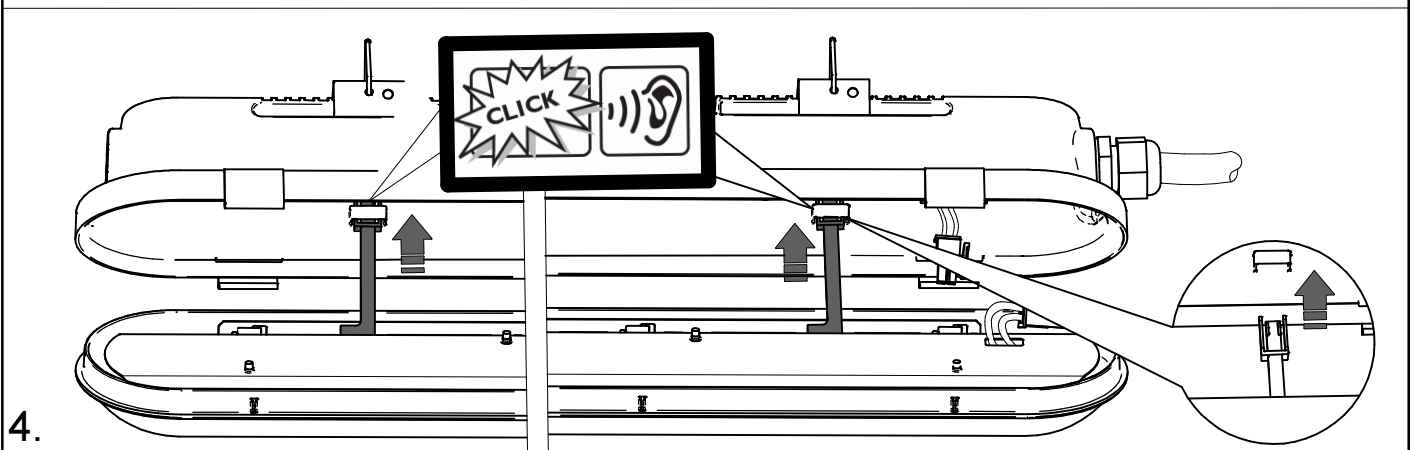
PHILIPS



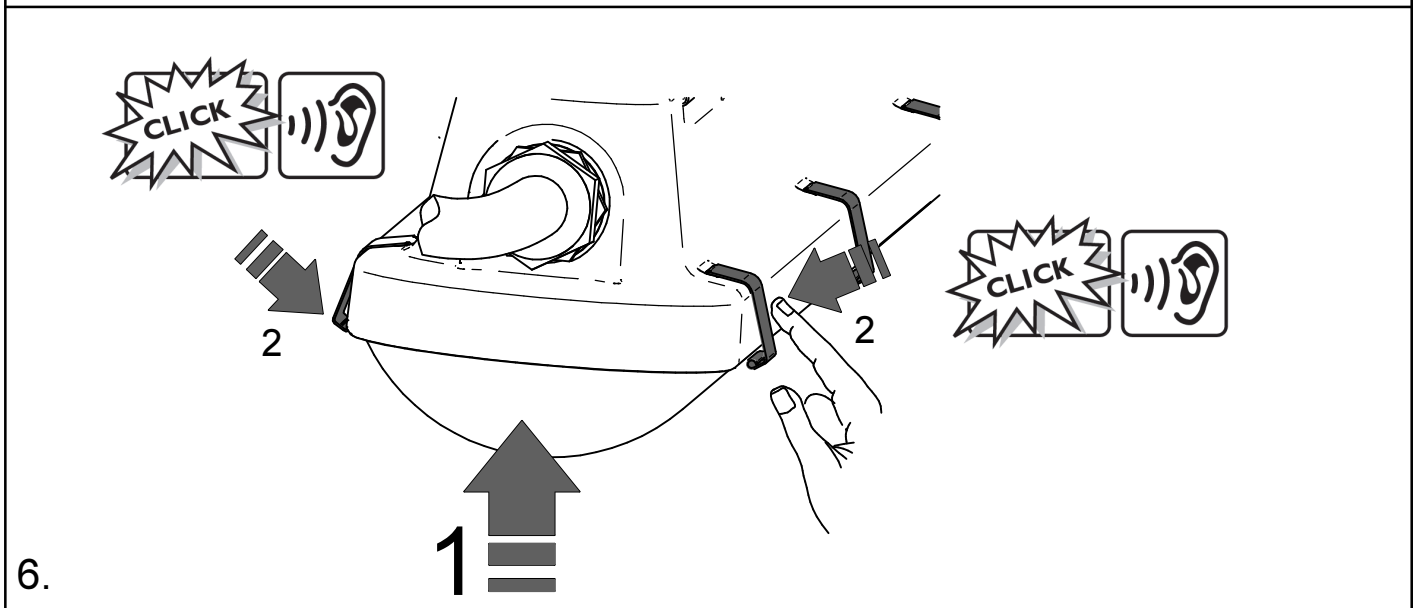
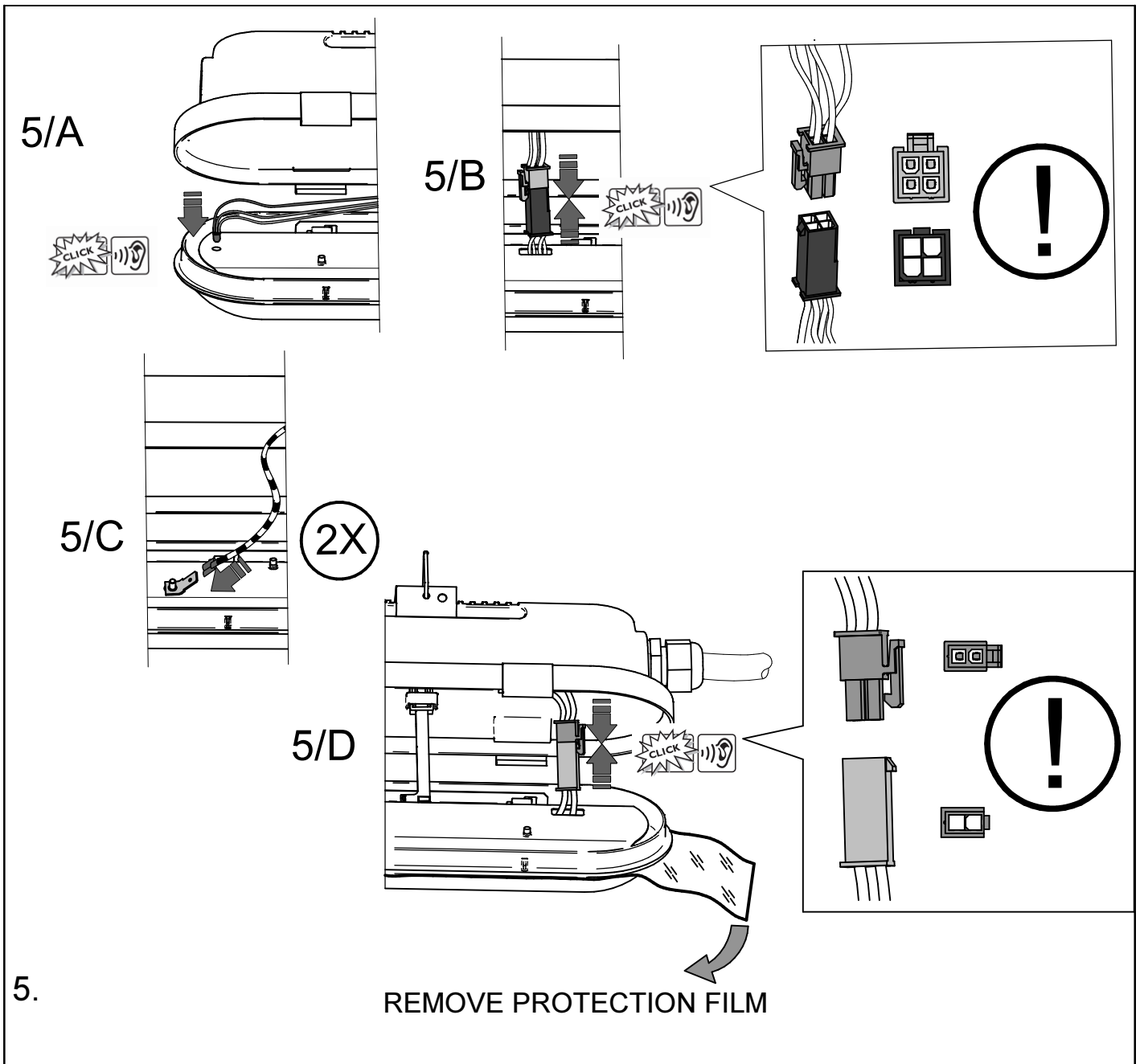
2.



3.



4.



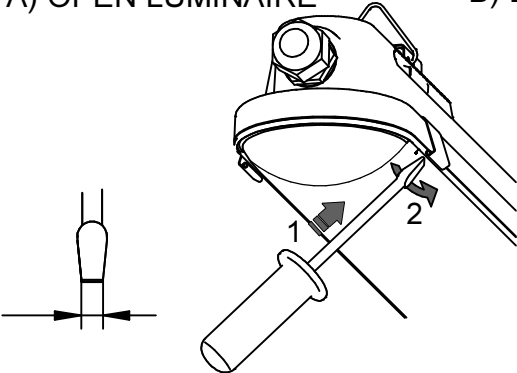
SERVICE: (DRIVER / BATTERY REPLACEMENT)



The batteries have a life time expectancy of 4 years.

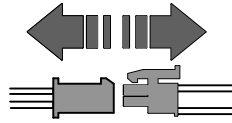
Light source (LED) is not replaceable.

A) OPEN LUMINAIRE

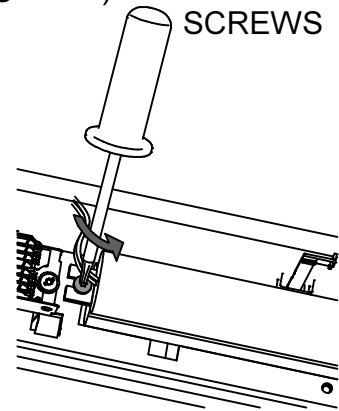


MAXIMAL SCREWDRIVER SIZE: 8MM

B) DECOUPLE BATTERY WIRES



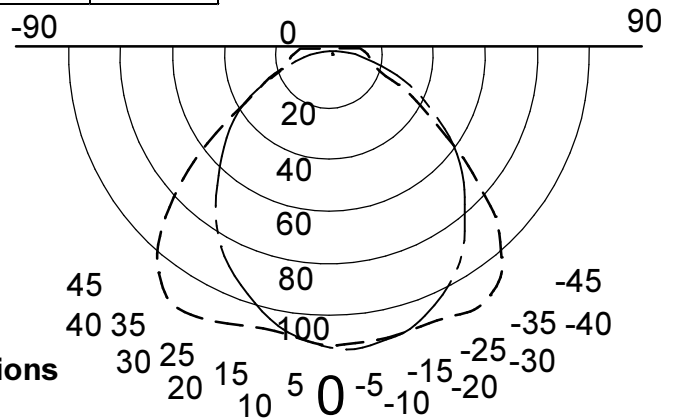
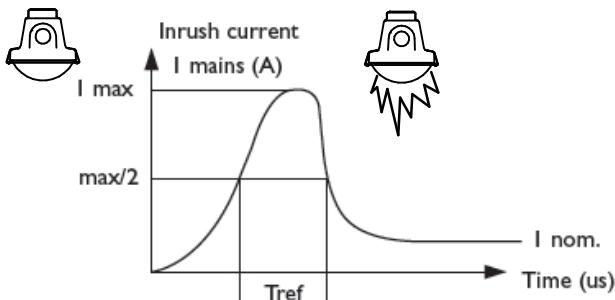
C) UNTIGHT BATTERY SCREWS



	LED22S	LED34S	LED40S	LED60S
I_{peak} [A]	21	19	22	19
T_{width} [μ s]	255	275	235	275
	Max. Nr of products			
Drivers / MCB 16A type B [max.]	24	24	24	24
Drivers / MCB 10A type B [max.]	15	15	15	15
Drivers / MCB 16A type C [max.]	40	40	40	40
Drivers / MCB 10A type C [max.]	24	24	24	24

LIGHT INTENSITY DISTRIBUTION CURVES EMERGENCY MODE

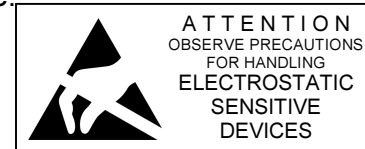
--- C 0-180 PLANE
 - - - - C 90-270 PLANE



Maintenance instructions

To assure the lighting quality of this unique LED lighting concept there are only a few instructions regarding the maintenance of this LED luminaire:

- * Do not touch electronic components!
Electronic components maybe under high voltage.
- * Do not stare into LED light beam.
- * The luminaire shall be installed by a qualified electrician and wired in accordance with the latest IEE electrical regulations or the national requirements.
- * Above average concentraion of sulfur effects the useful lifetime of the product.
E.g: Light color changes from white to blue. Typically in chicken & pig farms.
- * Periodic tests should be performed according to EN 50172:2004, clause 7.2.3 and 7.2.4.
Each month the driver is running in emergency mode for 30 seconds.
Once a year a full discharge cycle of at least 1 hr or 3 hrs (depending on product installed) should be performed.



4443 160 03843

Version date : 31/01/2014
 Data Subject to change without notice
 Printed in EU
www.philips.com/lighting

PHILIPS