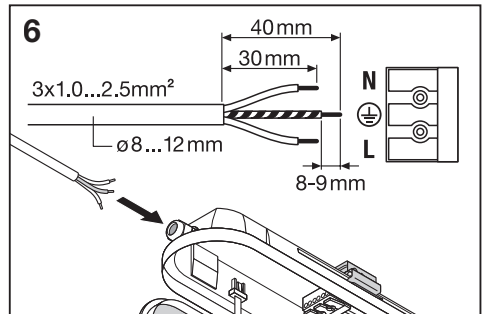
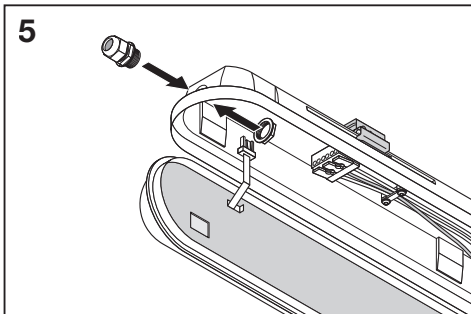
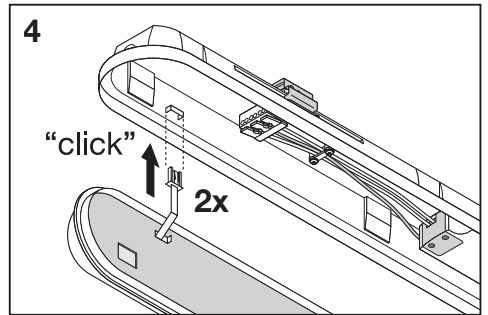
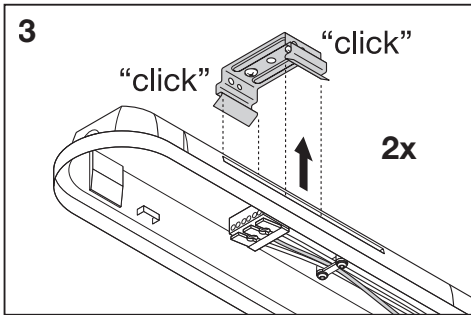
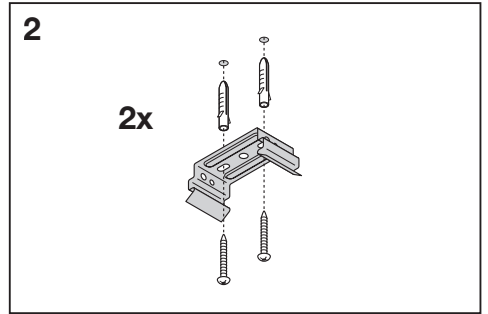
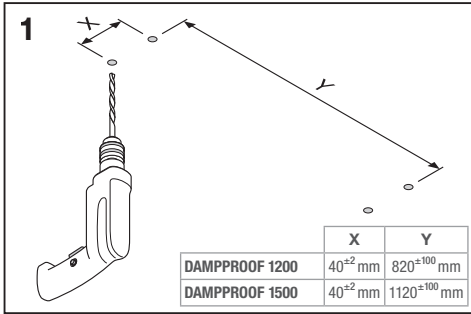
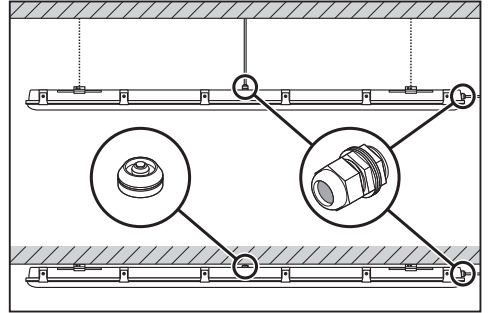
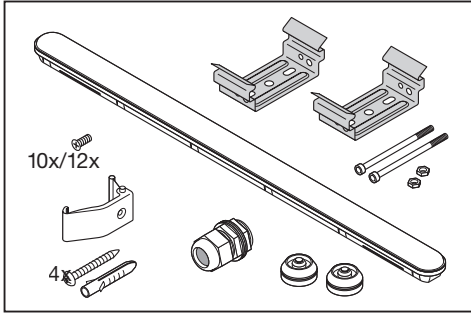
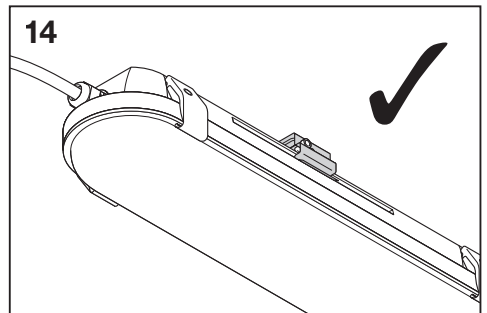
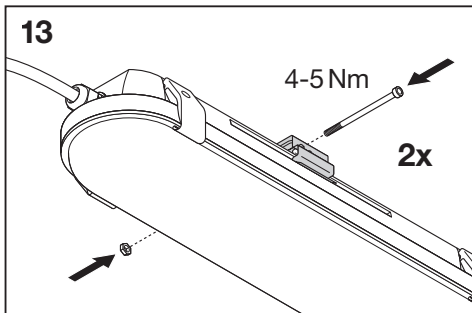
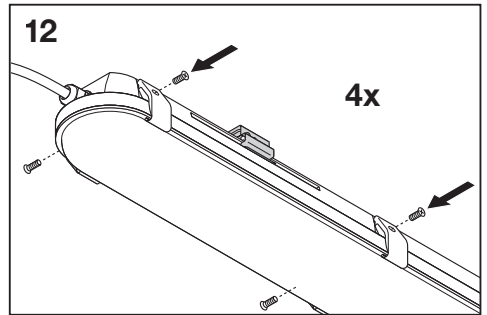
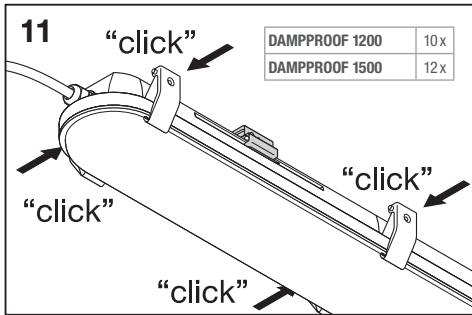
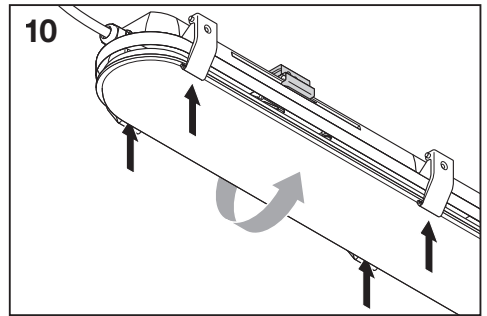
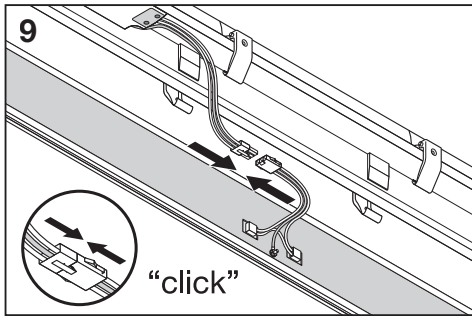
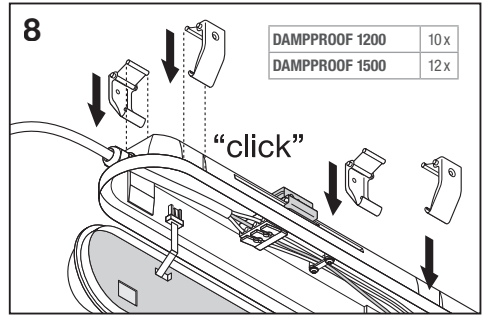
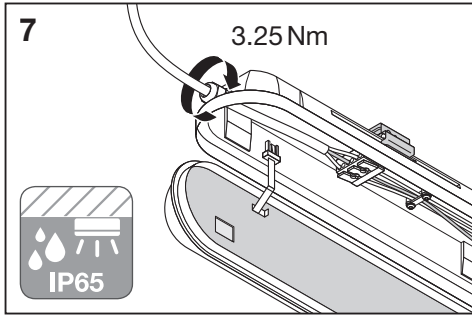


DAMPPROOF IP65



	EAN	W	K	lm	lm/W	L x W x H	IP	IK	R _a	⊖ (°C)	V _{AC}	Hz	⚙️
DAMPPROOF 1200 21W/4000K IP65	4058075079892	21	4000	2400	115	1200x95x78	65	08	> 80	-30...+40	220-240V	50/60 Hz	1.8 kg
DAMPPROOF 1200 39W/4000K IP65	4058075079915	39	4000	4400	115	1200x95x78	65	08	> 80	-30...+40	220-240V	50/60 Hz	1.8 kg
DAMPPROOF 1200 39W/6500K IP65	4058075079854	39	6500	4400	115	1200x95x78	65	08	> 80	-30...+40	220-240V	50/60 Hz	1.8 kg
DAMPPROOF 1500 30W/4000K IP65	4058075079939	30	4000	3500	115	1500x95x78	65	08	> 80	-30...+40	220-240V	50/60 Hz	2.2 kg
DAMPPROOF 1500 55W/4000K IP65	4058075079953	55	4000	6400	115	1500x95x78	65	08	> 80	-30...+40	220-240V	50/60 Hz	2.2 kg
DAMPPROOF 1500 55W/6500K IP65	4058075079878	55	6500	6400	115	1500x95x78	65	08	> 80	-30...+40	220-240V	50/60 Hz	2.2 kg





CE EAC RoHS 



C10449057
G11031924
12.01.18



LEDVANCE GmbH
Steinerne Furt 62
86167 Augsburg, Germany
www.ledvance.com