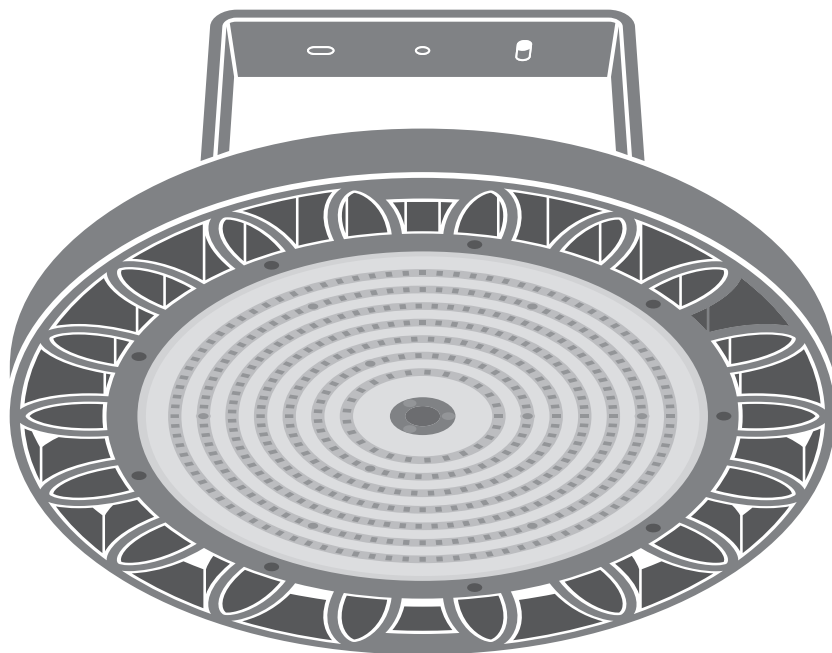


# HighBay LED



	EAN	Ø x H	W	lm	lm/W	I [mA]	K	IP	IK
HighBayLED 95W/4000K 90DEG IP65	4058075074330	285 x 129.5	95	13000	135	440	4000	65	08
HighBayLED 95W/6500K 90DEG IP65	4058075074347	285 x 129.5	95	13000	135	440	6500	65	08
HighBayLED 95W/4000K 110DEG IP65	4058075074354	285 x 129.5	95	13000	135	440	4000	65	08
HighBayLED 165W/4000K 70DEG IP65	4058075074361	376 x 139	165	22000	135	730	4000	65	08
HighBayLED 165W/6500K 70DEG IP65	4058075074378	376 x 139	165	22000	135	730	6500	65	08
HighBayLED 200W/4000K 110DEG IP65	4058075074385	376 x 139	200	27000	135	900	4000	65	08

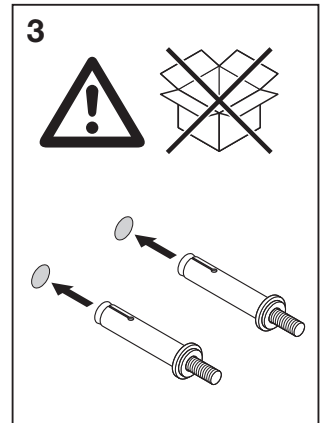
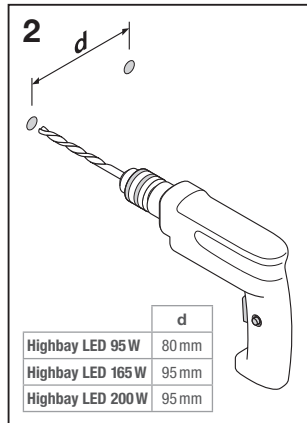
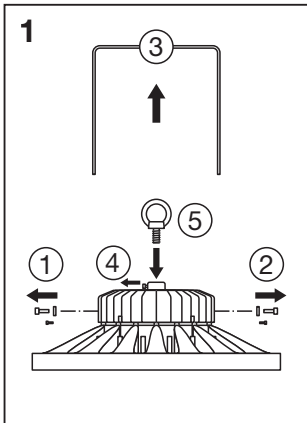
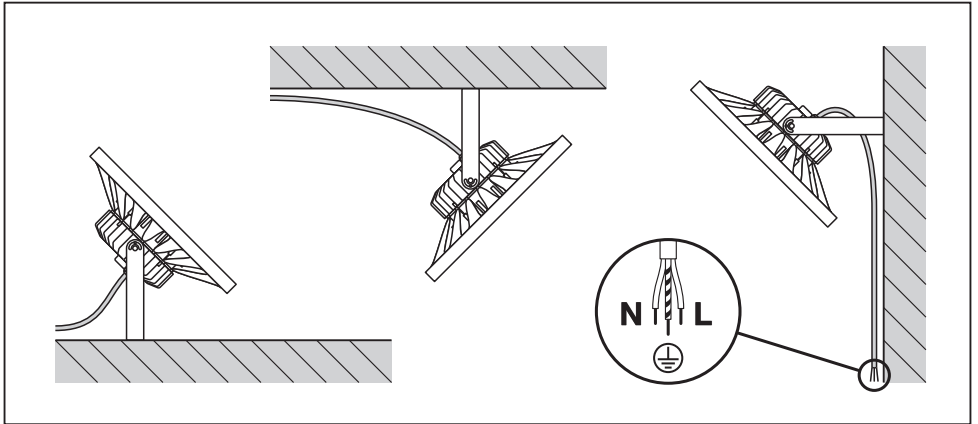
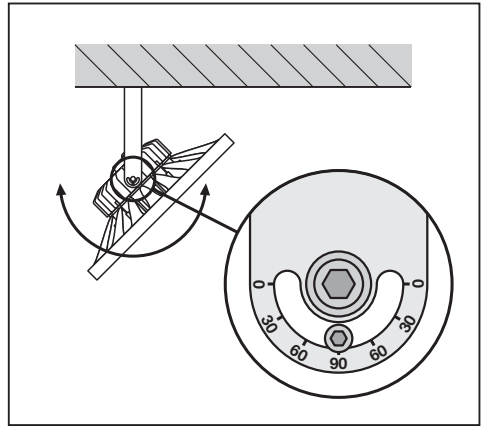
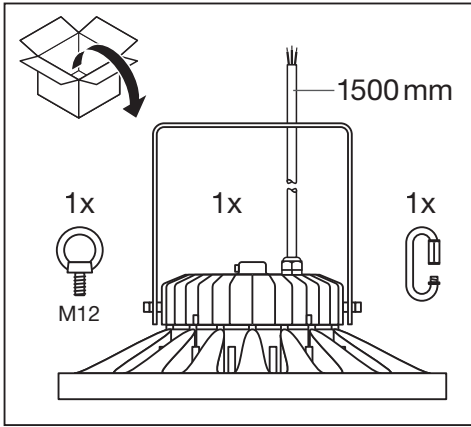
	EAN	⊖ (°C)	☹	R <sub>a</sub>	V <sub>AC</sub>	Hz	PF	👤
HighBayLED 95W/4000K 90DEG IP65	4058075074330	-30 ... +50	90°	> 80	100-240V	50/60 Hz	> 0.9	3.3 kg
HighBayLED 95W/6500K 90DEG IP65	4058075074347	-30 ... +50	90°	> 80	100-240V	50/60 Hz	> 0.9	3.3 kg
HighBayLED 95W/4000K 110DEG IP65	4058075074354	-30 ... +50	110°	> 80	100-240V	50/60 Hz	> 0.9	3.3 kg
HighBayLED 165W/4000K 70DEG IP65	4058075074361	-30 ... +50	70°	> 80	100-240V	50/60 Hz	> 0.9	4.7 kg
HighBayLED 165W/6500K 70DEG IP65	4058075074378	-30 ... +50	70°	> 80	100-240V	50/60 Hz	> 0.9	4.7 kg
HighBayLED 200W/4000K 110DEG IP65	4058075074385	-30 ... +50	110°	> 80	100-240V	50/60 Hz	> 0.9	4.7 kg

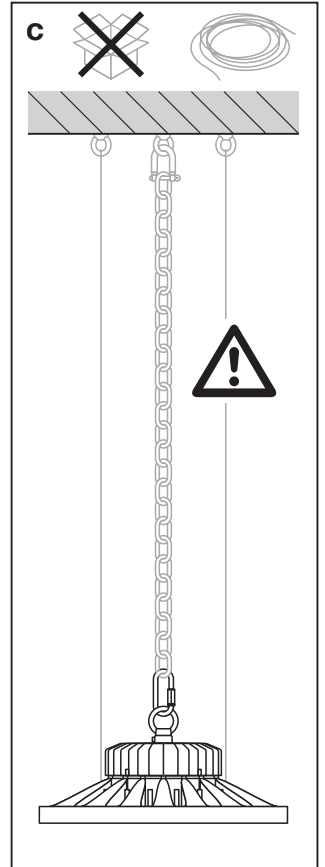
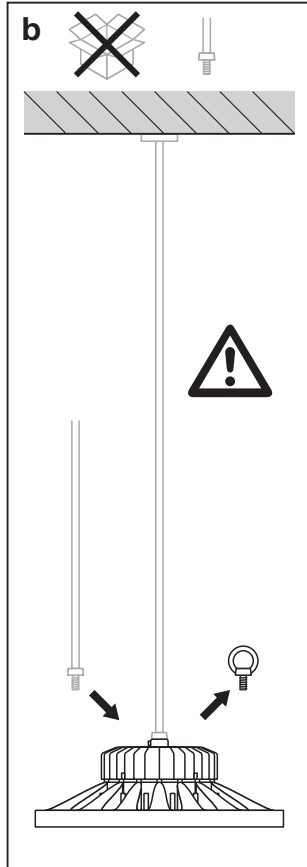
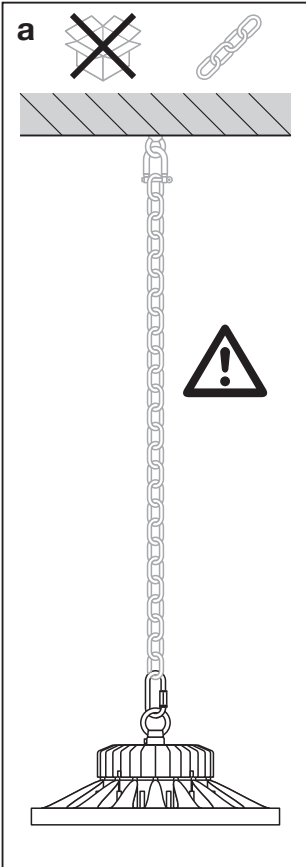
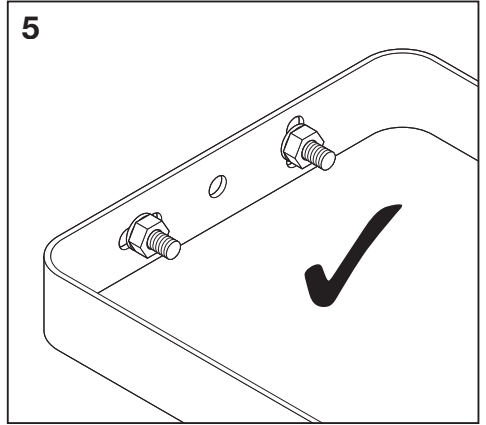
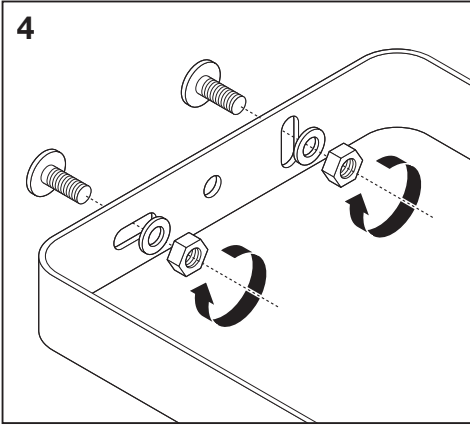


SMD  
LED



# HighBay LED





[www.luminares.ledvance.com](http://www.luminares.ledvance.com)



Downlight



Spot



Linear



Panel



Surface



DampProof



HighBay



Floodlight

CE RoHS



C10449057  
G11029814  
26.10.17

LEDVANCE GmbH  
Steinerne Furt 62  
86167 Augsburg  
Germany  
[www.ledvance.com](http://www.ledvance.com)