

Order No. OSRAM: 4052899986374 | Order No. Siteco: ODP10C77023R

Product description: PCTL-COB,LED360lm830,ld/tr-edge,wh

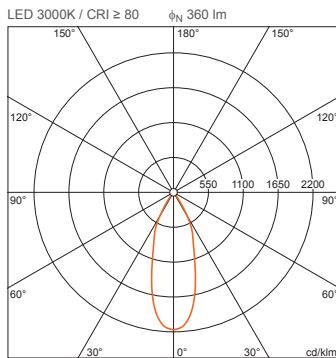


PUNCTOLED® COB, downlight, of PMMA, light emission: direct distribution, LED light colour: 830, control gear: ECG dimmable, with cable, 3x 0.75mm², mains connection: 220..240V, AC, 50/60Hz, housing, round, of aluminium, traffic white (RAL 9016), diameter: 83 mm, recess depth: 90 mm, protection rating (complete): IP20, insulation class (complete): insulation class II (safety insulation), certification: CE, permissible ambient temperature for indoor applications: 0..+25°C, permissible storage temperature: -20..+80°C



Lamps: LED
 Wt. (kg): 0.3
 GTIN (EAN): 4052899986374

4052899986374
 ODP10C77023R



OSRAM ODP10C77023R

The luminaire contains built-in LED lamps

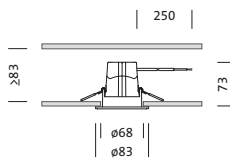
A++
A+
A
B
C
D
E

} LED

X

The LED-lamps cannot be changed in the luminaire

874/2012



Order No. OSRAM: 4052899986374 | Order No. Siteco: ODP10C77023R

Detailed technical description: PCTL-COB,LED360lm830,ld/tr-edge,wh



Key data

- Product type: downlight
- Family: PUNCTOLED® COB
- Order No.: ODP10C77023R

Lighting technology | Lamps | Control gear

Component 1

Lighting technology:

- Beam angle: medium distribution, 36°
- Light emission: direct distribution

Lamps:

- Lamps: with LED
- Rated luminous flux: 360lm
- Luminous efficacy: 80lm/W
- Colour temperature: 3000K
- Light colour: 830
- Rated input power: 4.5W

Operating device:

- Control gear: ECG dimmable
- Control: lead./trail. edge ph. cut

Material | Colour

- housing: aluminium, traffic white (RAL 9016), round, can be swivelled through +/-15°

Mounting

- Mounting method, mounting location: recessed, in the ceiling
- Ø of ceiling cut-out: 70mm
- Arrangement: single arrangement

Electrical connection

- Connection: cable, 3x 0.75mm²
- Nominal voltage: 220..240V, AC, 50/60Hz

Dimensions | Weight

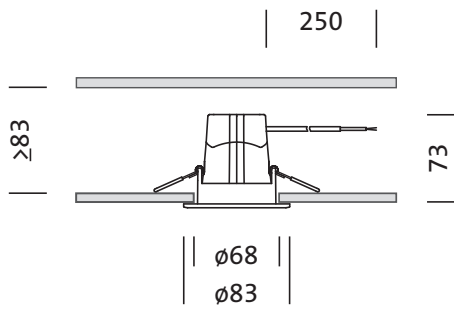
- Diameter: 83mm
- Height: 73mm
- Recess depth: 90mm
- Weight: 0.3kg

Certificates | Standards

- Protection rating: IP20
- Insulation class: insulation class II (safety insulation)
- Permissible ambient temperature: 0..+25°C
- Certification, designation: CE

Order No. OSRAM: 4052899986374 | Order No. Siteco: ODP10C77023R

Dimensions: PCTL-COB,LED360lm830,ld/tr-edge,wh

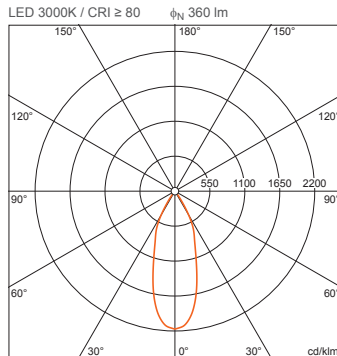


Order No. OSRAM: 4052899986374 | Order No. Siteco: ODP10C77023R

Planning data: PCTL-COB,LED360lm830,ld/tr-edge,wh

ODP10C77023R: 1x LED
3000K / CRI ≥ 80

4052899986374
 ODP10C77023R



I_{max} 2169 cd/klm at γ 0°

Luminance values (cd/m²)

C 0/180
 L₈₀ 3875
 L₇₀ 2185
 L₆₅ 2571

UGR 15.6 15.6
 X 4H Y 8H ρ 70/50/20 S 0.25H

H(m)	θ (m)	$E_{max}(lx)$	$E_m(lx)$
2	1.28	195	152
3	1.93	87	67
4	2.57	49	38
5	3.21	31	24
6	3.85	22	17

No. of luminaires in room

Reflection factors 70/50/20

$E_m(lx)$	100		200		500	
	Lh(m)	2.5	3.0	2.5	3.0	2.5
20 m ²	5.9	6.3	12	13	29	32
30 m ²	10	11	20	22	51	55
40 m ²	14	14	27	27	68	68
50 m ²	17	17	34	34	86	84
75 m ²	25	26	49	53	123	132
100 m ²	33	33	66	66	166	164
500 m ²	161	159	322	317	804	793

Maintenance factor 0.8

Rh = Lh