



# INSTRUCTION

Gartenstrahler PAR 16

IP55

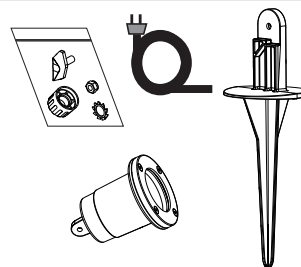
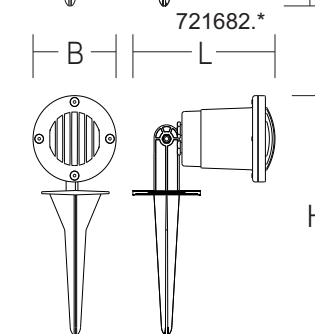
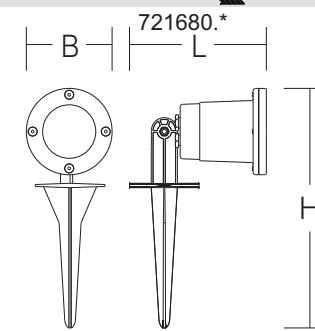
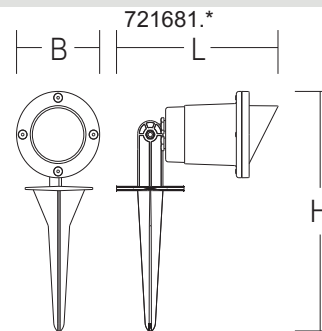


220-240V ~ 50/60Hz

0.5m



3 x 1,0mm<sup>2</sup>



	721680.092	L157xB98xH275	1xQPAR16	50W	850g
	721680.0931	L157xB98xH275	1xQPAR16	50W	850g
	721681.092	L191xB98xH275	1xQPAR16	50W	850g
	721681.0931	L191xB98xH275	1xQPAR16	50W	850g
	721682.092	L170xB98xH275	1xQPAR16	50W	850g
	721682.0931	L170xB98xH275	1xQPAR16	50W	850g



EN 12464



EN 12464



