

Date \_\_\_\_\_

\_\_\_\_\_

Name \_\_\_\_\_

\_\_\_\_\_

Client \_\_\_\_\_

\_\_\_\_\_

Project name \_\_\_\_\_

\_\_\_\_\_

Quote# \_\_\_\_\_

\_\_\_\_\_

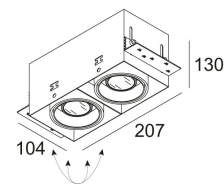
Type/Quantity \_\_\_\_\_

\_\_\_\_\_

**MINIGRID IN TRIMLESS 2 50 Hi**

**202 71 66 02**

[Weblink](#)



Opening formaat: 211 x 108 mm

Inbouwdiepte: 140 mm

Dikte montageoppervlak: max.40

Beschikbare kleuren: ZWART (202 71 66 02 B)  
WIT (202 71 66 02 W)

ADJUSTABLE 0-30°  
MAINS DIMMING - TRAILING EDGE

GU10 // 100-240V / 50-60Hz  
 2 x QPAR51 max.50W

Klasse: I

Gewicht: 0.8 KG

Protection level: IP20

Minimumafstand: 0,5m

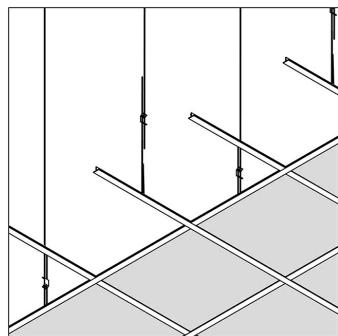
Opmerkingen: WHITE finish : max. 35W

Opties: MINIGRID IN 2 MOUNTING KIT  
MINIGRID IN 2 MOUNTING KIT LARGE  
CONCRETE PACK MGIT 2

Voor gedetailleerde installatie-instructies, raadpleeg de handleiding: [202\\_71\\_66\\_01\\_HAND.pdf](#)

**MINIGRID IN TRIMLESS 2 50 HI**  
202 71 66 02

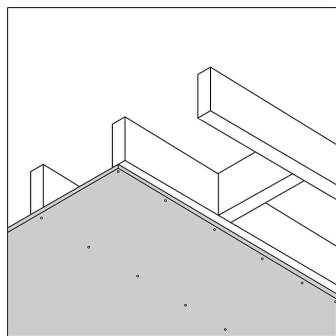
**Plafond mogelijkheden**



**Systeemplafond**

**Optioneel**

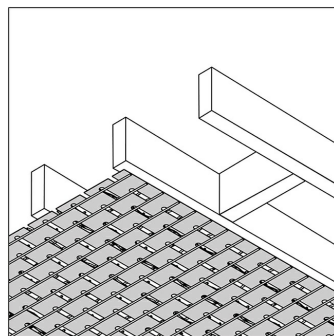
MINIGRID IN 2 MOUNTING KIT



**Gipsplaat**

**Optioneel**

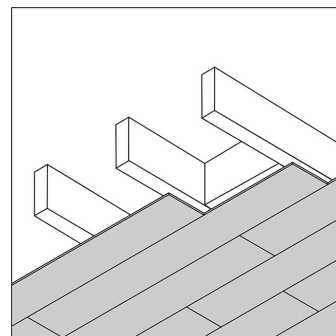
MINIGRID IN 2 MOUNTING KIT



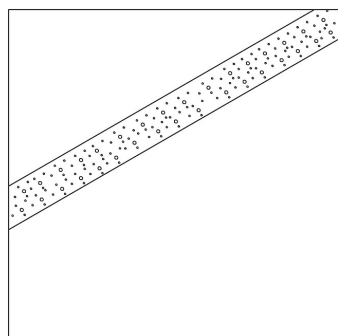
**Stucanet**

**Alleen met**

MINIGRID IN 2 MOUNTING KIT  
MINIGRID IN 2 MOUNTING KIT LARGE



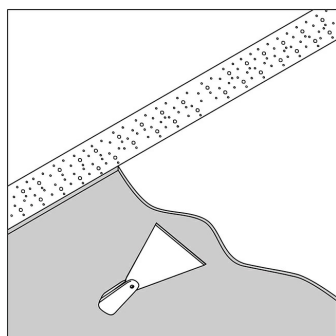
**Hout**



**Beton**

**Alleen met**

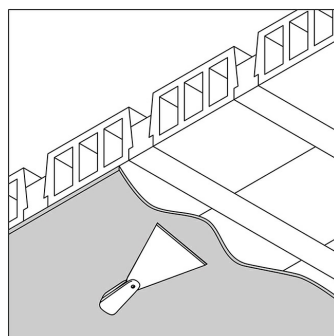
CONCRETE PACK MGIT 2



**Beton + pleister**

**Alleen met**

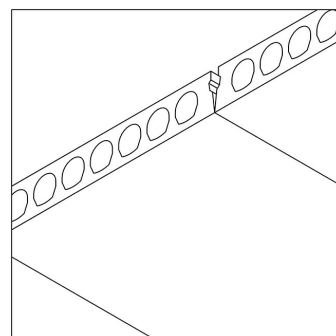
MINIGRID IN 2 MOUNTING KIT LARGE



**Stalton + pleister**

**Alleen met**

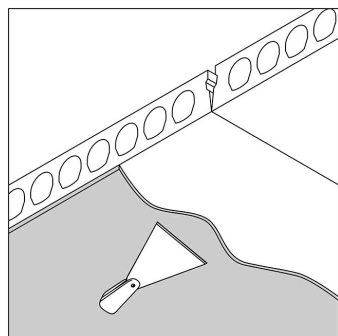
MINIGRID IN 2 MOUNTING KIT LARGE



**Welfsels**

**Alleen met**

CONCRETE PACK MGIT 2



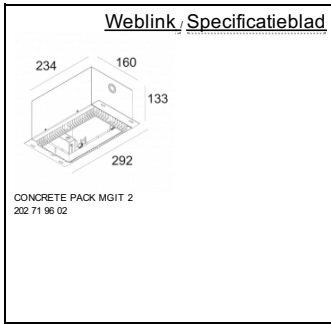
**Welfsels + pleister**

**Alleen met**

MINIGRID IN 2 MOUNTING KIT LARGE

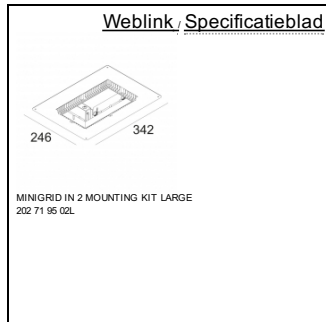
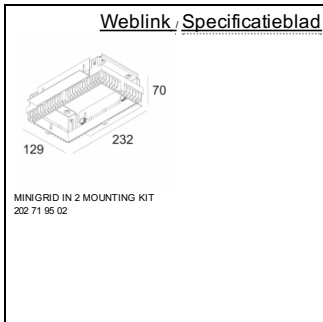
Related references

**BETON DOOS VOOR ZICHTBETON**



Related references

**MONTAGE KIT**



# Specification Sheet

MINIGRID IN TRIMLESS 2 50 HI  
**202 71 66 02**

Gerelateerde project foto van product familie:

