

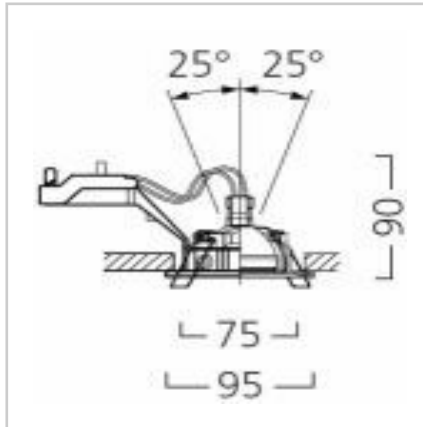
Product selected: Instar trend 75 swing indoor QR-CB51 50W white

Instar Trend 75 Swing IP44 Outdoor is an adjustable low voltage downlight for QR51 GU/GX5.3 lamps. These lamps are available in many different beam angles and intensities. The maximum power of the lamp is 35W. The fixtures are made of die cast aluminium with a front protection glass and have stainless steel springs and a special finishing of the aluminium parts for outdoor use. The diameter of the ceiling cut-out is Ø75 mm, the diameter of the ceiling trim is Ø95 mm. The luminaires can be adjusted through 2 x 25° tilt. Mounting is possible without the use of tools.

Product Image



Product Line Drawing



Lamp(s)

No Image Available No Image Available No Image Available

No Image Available

Symbols



Product Details

Order code	3079060
Item name	Instar trend 75 swing indoor QR-CB51 50W white
Mounting	Ceiling recessed
Notes	Minimum recess dimensions: 400x400x140mm with F-mark, without F-mark 250x250x100mm
Place of use	Interior
Colour	White
Cutout shape	Round
Cutout diameter (mm)	75
Recessed depth	90
Diameter (mm)	95
Distribution type	Direct - Adjustable
Lamps description	1x50W QR-CBC51 GU/GX5.3
Lamp included	No
Number of heads	1
Emergency	Without
Transformer availability	Separate item
Transformer mounting	Remote
Transformer type	Electronic
Voltage (V)	12