

Product data

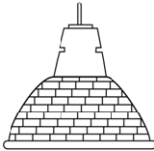


Instar Trend 75 Swing IP44 Outdoor is an adjustable low voltage downlight for QR51 GU/GX5.3 lamps. These lamps are available in many different beam angles and intensities. The maximum power of the lamp is 35W. The fixtures are made of die cast aluminium with a front protection glass and have stainless steel springs and a special finishing of the aluminium parts for outdoor use. The diameter of the ceiling cut-out is Ø75 mm, the diameter of the ceiling trim is Ø95 mm. The luminaires can be adjusted through 2 x 25° tilt. Mounting is possible without the use of tools.

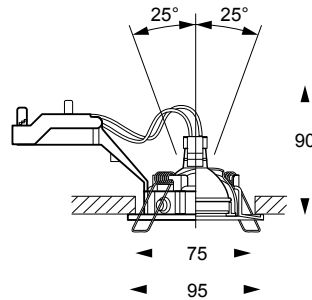
3079030 White, 0.16 kg

3079034 Anthracite, 0.16 kg

See Lumiance data sheet [150.pdf](#) for examples of QR51 photometric data.



Please contact your lamp supplier for photometric data of specific products.



Minimum recess dimensions (l x w x h)



250 x 250 x 100 mm

400 x 400 x 140 mm

Lumiance Insulation Box required in insulated ceilings. See [221.pdf](#).

QR51 max **35W** GU5.3/GX5.3



20W ⇒ 320 lm
35W ⇒ 630 lm

The transformers must be ordered separately

The Lumitronic transformer system is a series of electronic transformers for 60, 105 and 150VA. The Lumitronics can be dimmed with all dimmers designed for electronic transformers. The 105 and 150VA types allow loop-in/loop-out primary wiring and have 3 pairs of output terminals. All Lumitronics have overload, short-circuit and thermal protection and feature soft start to increase lamp life.

3006030 Lumitronic 60VA, one output terminal, l x w x h = 91 x 41 x 28 mm, 0.1 kg

3006040 Lumitronic 105VA, three output terminals, l x w x h = 146 x 38 x 26 mm, 0.1 kg

3006050 Lumitronic 150VA, three output terminals, l x w x h = 148 x 46 x 30 mm, 0.1 kg

3006120 Lumiblock, 6-way terminal block with 25 cm cable, 70°C.

3006110 Lumiflex, 2m connection cord (for Lumiblock), max. 50W, 70°C

3006150 Lumicord, 1m extension cord (for Lumiflex), max. 50W, 70°C

Up to 6 lamps can be connected to one Lumiblock (150W max).

60VA 3 x 20W, 1 x 35W

105VA 5 x 20W, 3 x 35W

150VA 6 x 20W, 4 x 35W



Safety extra low voltage



Suitable for mounting on flammable materials such as wood.



Glow wire proof.



Splash proof when mounted in a closed ceiling.



Safety certified.



Safety transformer.



Double insulation, earth not required



Suitable for mounting on flammable materials such as wood.



Loop-in/loop-out of supply possible (not for 3006030).



Glow wire proof.



Suitable for installation in dry locations.

